



MOBILE IMAGE EVALUATION
QMOBILE EVO

FOR PORTABLE EVALUATION OF BRINELL HARDNESS TESTING INDENTATIONS

Qmobile EVO is a mobile image evaluation unit for standard-compliant Brinell evaluation in accordance with DIN EN ISO 6506 and ASTM E-10. The user-friendly Qpix T2 software runs on an industrial tablet and enables testing directly in the field for fast data acquisition and quality control.

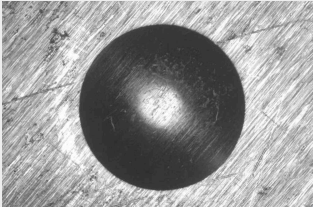
PRODUCTVOORDELEN

- | Consignment includes case
- | State-of-the-art technology
- | QAI Image evaluation via built-in microscope and XLED Optic
- | Replaceable head for customer-determined applications
- | Innovative Qpix T2 Software
- | Industry compatible tablet PC
- | Data output via interfaces (USB 3.0)
- | Ergonomic system design



MOBILE IMAGE EVALUATION QMOBILE EVO

KENMERKEN



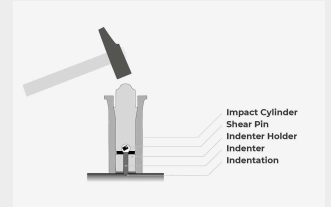
**EVALUATION WITH
BRINELL XLED
TECHNOLOGY**



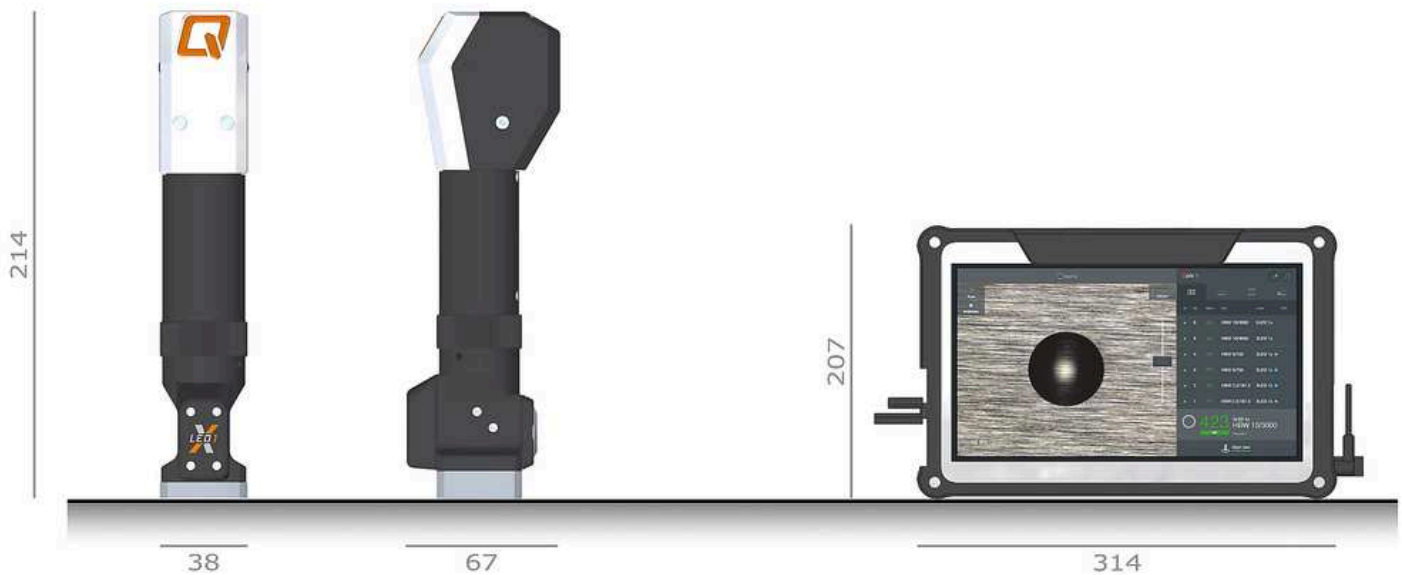
**REPLACEABLE
SUPPORT**



**INDIRECT
CALIBRATION USING A
HARDNESS TEST
BLOCK**



Integrated conversion for measuring the Brinell hardness of shear pin hardness tests, hammer blow method (shear pin - hardness testing)
Suitable for steel and cast iron, conversion to HB 30, HRC, kg/mm²



MOBILE IMAGE EVALUATION QMOBILE EVO

TECHNISCHE GEGEVENS

Hardness test evaluation

Brinell: HBW 10/3000, HBW 5/750, HBW 2.5/187.5

Gezichtsveld

7.9 x 5.9 mm

Camera

5 Megapixel

Interfaces

1 x USB 3.0

Weight of Qmobile EVO

0.7 kg

Tablet screen

11.6"

Opties

Operation via external PC

BESTELGEGEVENS

MOBILE IMAGE EVALUATION QMOBILE EVO

BASIS MACHINE

QB0080102	Qmobile EVO
QB0080103	Qmobile EVO - Qpix Control „M“

PC SYSTEM FOR MACHINE CONTROL

QA0103500	Tablet-PC system 11.6" - Qmobile Evo
QA0095300	PC system Full HD - Qpix Control2 „R“

SOFTWARE MODULES

QSO226500	Qpix2 - QAI hardness testing image analysis
QSO013600	Qpix - Barcode / QR code scanner software module
QA0089600	Barcode/QR-Code 1D/2D Scanner Kit - Bluetooth

QPIX CONNECT - DATA CONNECTION

QSO031600	Qpix Control2 - PCI plug-in
QSO013500	Qpix Control2 - AMS plug-in
QSO030400	Qpix Control2 - Q-DAS plug-in

EX-WORKS QATM CALIBRATION ISO/IEC 17025

QH0001201A	Accredited QATM calibration - EN ISO / ASTM
QH0001201B	Accredited QATM calibration - ASTM
QH0001201Z	Accredited QATM calibration - EN ISO
QH2262301A	Calibration Test method HBW2.5/187.5 - EN ISO/ASTM
QH2352301A	Calibration Test method HBW 5/250 - EN ISO/ASTM
QH2362301A	Calibration Test method HBW 5/750 - EN ISO/ASTM
QH2452301A	Calibration Test method HBW 10/1000 - EN ISO/ASTM
QH2472301A	Calibration Test method HBW 10/3000 - EN ISO/ASTM
QSE0142	Manufacture Factory Verification report - Brinell

QVV0030 Documentation

QVV0001 Work certificate